

Procedural Trays & Packs

Procedural Tray

Merit is pleased to introduce a new level of service for customers through direct pack and tray distribution. Meeting all of your Procedural Tray and Pack needs

PROCEDURAL TRAYS AND PACKS





PROCEDURAL TRAYS & PACKS

L

Angiography Tray 1	L.1
Angiography Tray 2	L.2
Angiography Tray 3	L.3
Vein Closure Tray	L.4
Myelogram Tray	L.5
Paient Cover	L.5
First Step™ Prep Kits	L.6

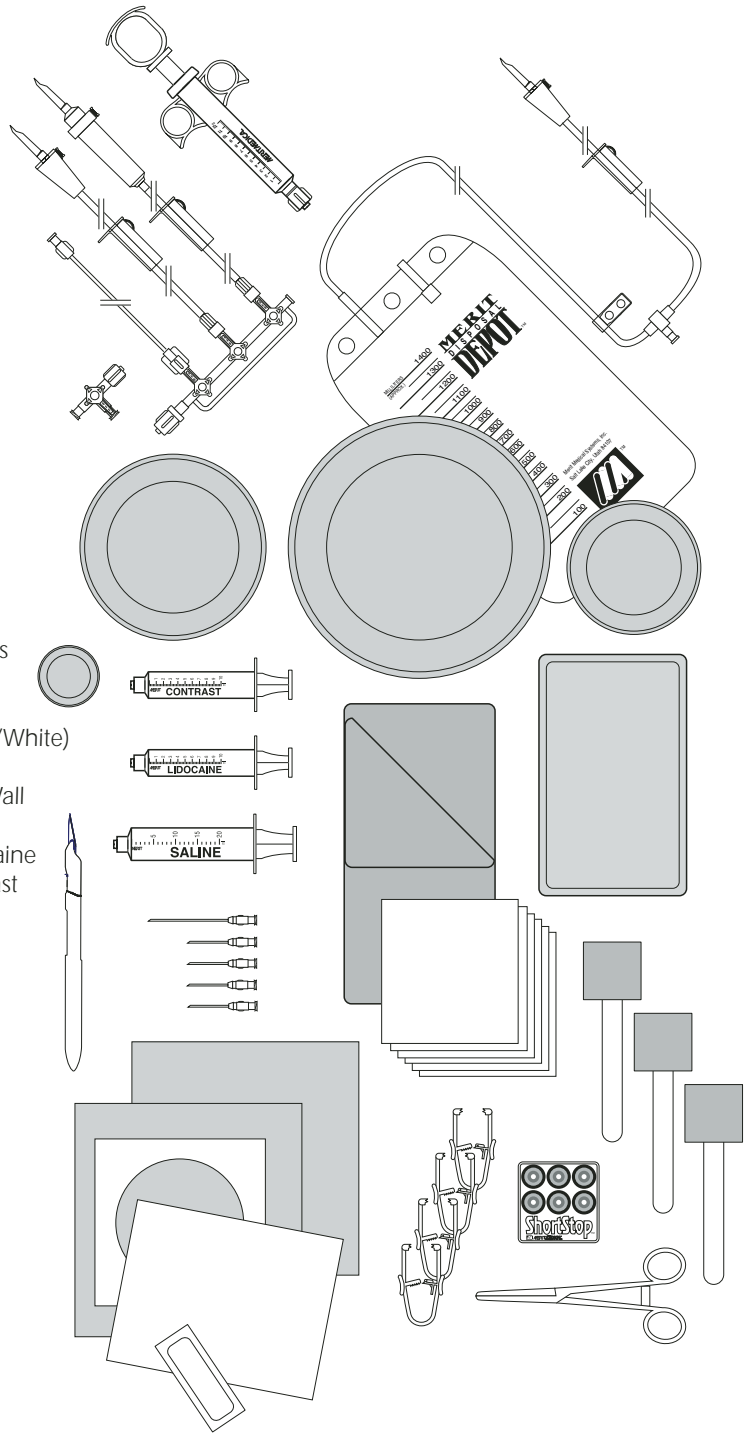
ANGIOGRAPHY TRAY 1 * including:

- | QTY | Description: |
|------|--|
| 2 | Band Bag 36" x 48" |
| 1 | Set Up Cover 54" x 80" |
| 1 | Dome Band Bag 22" Deep |
| 1 | Needle 18G x 1.5" |
| 1 | Needle 21G x 1.5" |
| 1 | Needle 22G x 1.5" |
| 1 | Needle 25G x 1.5" |
| 1 | #11 Scalpel |
| 1 | Medicine Cup 2oz, 60ml |
| 1 | Bowl 16oz, 500ml |
| 1 | Bowl 32oz, 1000ml |
| 1 | Guide Wire Bowl 2500ml |
| 1 | Tray 9" x 5" x 2" |
| 1 | Curved Forceps 5" |
| 1 | Header Bag 17" x 30" |
| 50 | 4" x 4" Gauze Pad (12 Ply) |
| 6 | Cloth Towel (Blue) |
| 4 | Towel Clamp |
| 3 | Sponge Sticks 8" |
| 2 | XL NRF Gown |
| 1 | Back Table Cover 50" x 90" |
| 1 | Femoral Drape 81" x 135" with 2 Windows |
| 0.25 | CTN. 23" x 15" x 23" |
| 1 | Tear Here" Label |
| 2 | Line Identification Labels (Red/Yellow/Blue/White) |
| 1 | Depot Bag (MDD220HP) |
| 1 | Angiographic Needle 18G x 2 3/4" Thin Wall |
| 3 | Medallion Syringe 20ml L/L, White, Saline |
| 2 | Medallion Syringe 10ml L/L, Lt Blue, Lidocaine |
| 2 | Medallion Syringe 10ml L/L, Yellow, Contrast |
| 1 | Shortstop (Sharps Holder) |
| 1 | Manifold Setup With Off Handles ** |

** Manifold Setup Contains:

- 203HF-R
- 1st Port - PM6172
- 2nd Port - FAS5072
- 3rd Port - FAS1272
- CCX010
- M3SNC

Packaged 4 per case



CATALOG NUMBERS

K09T-08878

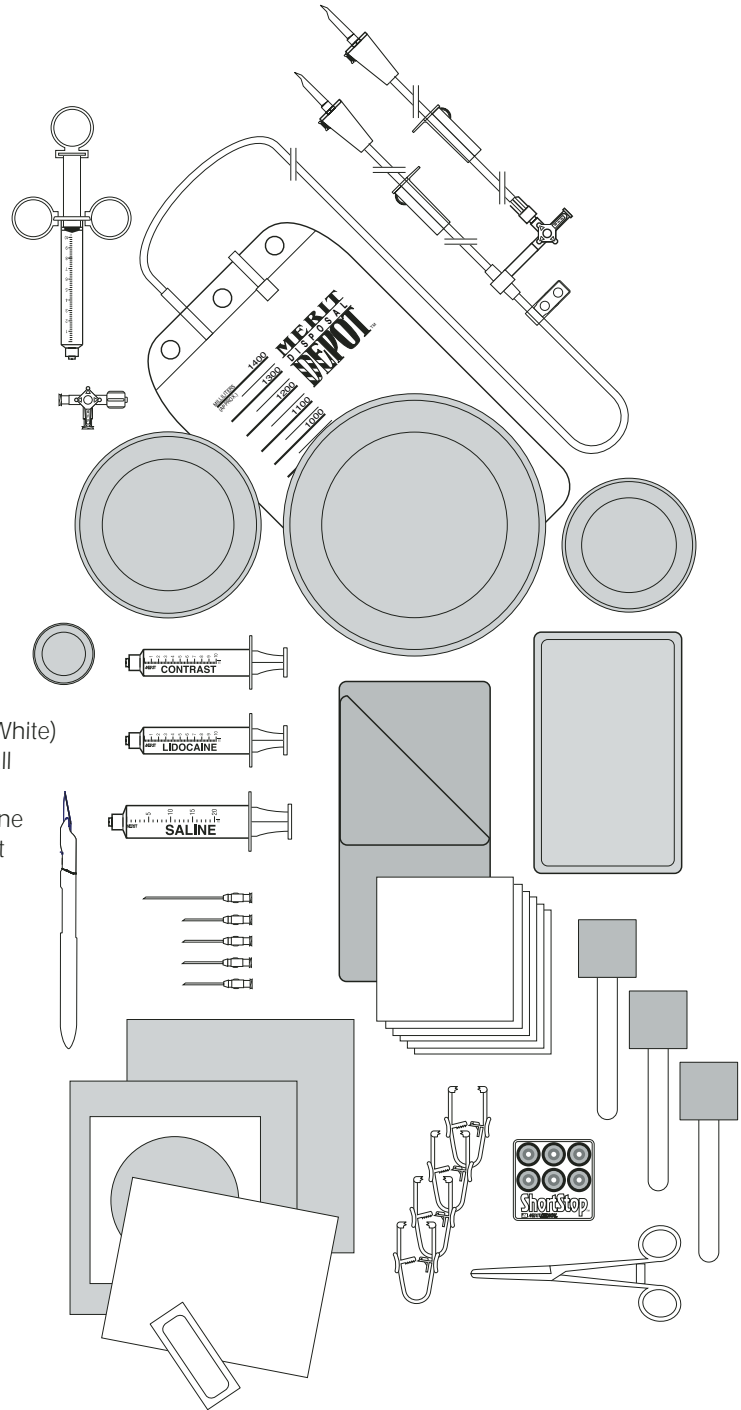
* Not available in countries where CE mark is required.

ANGIOGRAPHY TRAY 2 * including:

- | QTY | DESCRIPTION |
|------|--|
| 2 | Band Bag 36" x 48" |
| 1 | Set Up Cover 54" x 80" |
| 1 | Band Bag Dome 22" Deep |
| 1 | Needle 18G x 1 ?" |
| 1 | Needle 21G x 1 ?" |
| 1 | Needle 22G x 1 ?" |
| 1 | Needle 25G x 1 ?" |
| 1 | Syringe Control 10ml |
| 1 | #11 Scalpel |
| 1 | Medicine Cup 2oz, 60ml |
| 1 | Bowl 16oz, 500ml |
| 1 | Bowl 32oz, 1000ml |
| 1 | Guide Wire Bowl 2500ml |
| 1 | Tray 9" x 5" x 2" |
| 1 | Curved Forceps 5" |
| 1 | Label, Lidocaine, White .5" x 1.75" |
| 1 | Header Bag 19" x 30" |
| 40 | 4" x 4" Gauze Pad (12 Ply) |
| 6 | Cloth Towel (Blue) |
| 4 | Towel Clamp |
| 3 | Sponge Sticks 8" |
| 2 | XL NRF Gown |
| 1 | Back Table Cover 50" x 90" |
| 1 | Femoral Drape 81" x 135" with 2 Windows |
| 0.25 | CTN. 23" x 15" x 23" |
| 1 | "Tear Here" Label |
| 2 | Line Identification Labels (Red/Yellow/Blue/White) |
| 1 | Angiographic Needle 18G x 2 3/4" Thin Wall |
| 3 | Medallion Syringe 20ml L/L, White, Saline |
| 1 | Medallion Syringe 10ml L/L, Lt Blue, Lidocaine |
| 2 | Medallion Syringe 10ml L/L, Yellow, Contrast |
| 1 | Merit Depot Bag Setup ** |
| 1 | Shortstop (Sharps Holder) |

** Depot Bag Setup Contains:
MDD520H
HPF721E
H3RRC

Packaged 4 per case



CATALOG NUMBERS

K10T-03784

* Not available in countries where CE mark is required.

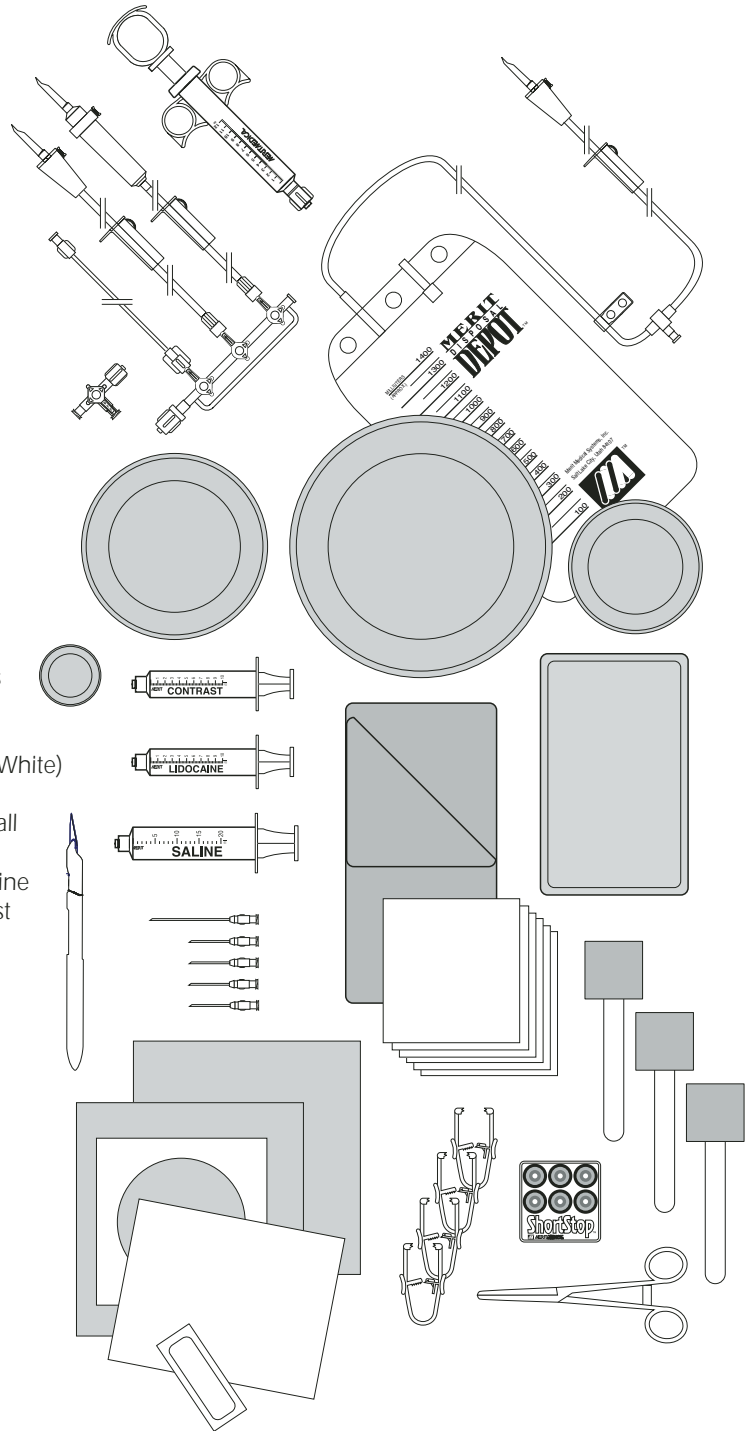
ANGIOGRAPHY TRAY 3 * including:

- | | |
|------|--|
| QTY | Description: |
| 2 | Band Bag 36" x 48" |
| 1 | Set Up Cover 54" x 80" |
| 1 | Dome Band Bag 22" Deep |
| 1 | Needle 18G x 1 ?" |
| 1 | Needle 21G x 1 ?" |
| 1 | Needle 22G x 1 ?" |
| 1 | Needle 25G x 1 ?" |
| 1 | #11 Scalpel |
| 1 | Medicine Cup 2oz, 60ml |
| 1 | Bowl 16oz, 500ml |
| 1 | Bowl 32oz, 1000ml |
| 1 | Guide Wire Bowl 2500ml |
| 1 | Tray 9" x 5" x 2" |
| 1 | Curved Forceps 5" |
| 1 | Header Bag 17" x 30" |
| 50 | 4" x 4" Gauze Pad (12 Ply) |
| 6 | Cloth Towel (Blue) |
| 4 | Towel Clamp |
| 3 | Sponge Sticks 8" |
| 2 | XL NRF Gown |
| 1 | Back Table Cover 50" x 90" |
| 1 | Femoral Drape 81" x 135" with 2 Windows |
| 0.25 | CTN. 23" x 15" x 23" |
| 1 | Tear Here" Label |
| 2 | Line Identification Labels (Red/Yellow/Blue/White) |
| 1 | Depot Bag (MDD220HP) |
| 1 | Angiographic Needle 18G x 2 3/4" Thin Wall |
| 3 | Medallion Syringe 20ml L/L, White, Saline |
| 2 | Medallion Syringe 10ml L/L, Lt Blue, Lidocaine |
| 2 | Medallion Syringe 10ml L/L, Yellow, Contrast |
| 1 | Shortstop (Sharps Holder) |
| 1 | Manifold Setup With On Handles ** |

** Manifold Setup Contains:

- 203HN-R
- 1st Port - PM6172
- 2nd Port - FAS5072
- 3rd Port - FAS1272
- CCX010
- M3SNC

Packaged 4 per case



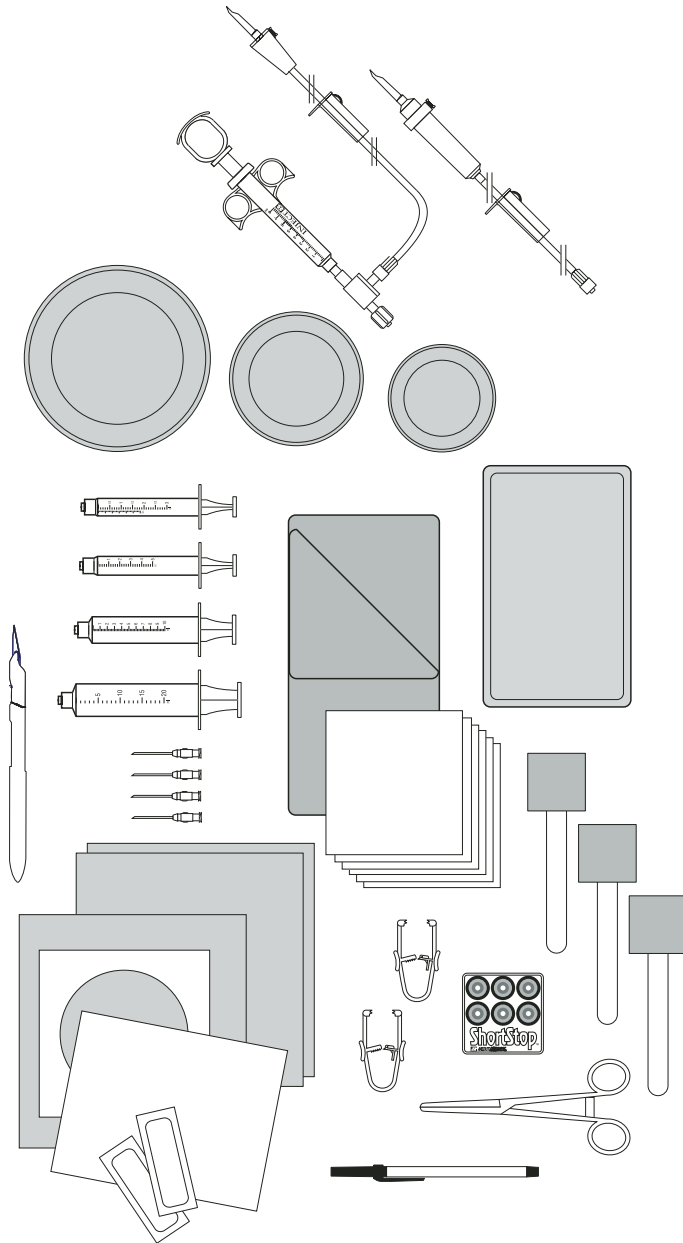
CATALOG NUMBERS

K09T-08952

* Not available in countries where CE mark is required.

VEIN CLOSURE TRAY * including:

- | Qty | Description |
|------|--|
| 1 | Band Bag 50" x 50" |
| 1 | BD Syringe 5ml L/L |
| 1 | BD Syringe 10ml L/L |
| 1 | BD Syringe 20ml L/L |
| 1 | BD Syringe 3ml L/L |
| 1 | Needle 18G x 1.5" |
| 1 | Needle 20G x 1.5" |
| 1 | Needle 22G x 1.5" |
| 1 | Needle 25G x 1.5" |
| 1 | #11 Scalpel |
| 1 | Clear Setup Cover 44" x 70" |
| 1 | Skin Marker |
| 1 | Bowl 8oz, 250ml |
| 1 | Bowl 16oz, 500ml |
| 1 | Bowl 32oz, 1000ml |
| 1 | Tray 9" x 5" x 2" |
| 1 | Probe Cover 6" x 48" w/Gel |
| 1 | Steri Strip .5" x 4", 3's |
| 2 | Aquasonic Gel 20gm |
| 1 | White Polylined Drape 18" x 26" |
| 1 | Curved Forceps Mosq. 5" |
| 1 | Header Bag 17" x 30" |
| 40 | 4" x 4" Gauze Pads (12 Ply) |
| 4 | Cloth Towel (Blue) |
| 1 | XL Shoe Covers (Pair) |
| 2 | Towel Clamp |
| 3 | Sponge Sticks 6" |
| 1 | XL (NRF) Gown |
| 1 | Table Cover 44" x 76" |
| 1 | Split Drape 77" x 117", 3.5" x 43" |
| 1 | Half Drape 44" x 55" |
| 0.33 | CTN. 23" x 15" x 15" |
| 1 | "Tear Here" Label |
| 1 | Vein Closure Syringe |
| 1 | Shortstop (Sharps Holder) |
| 1 | Fluid Administration Set 108" Drip Pak |

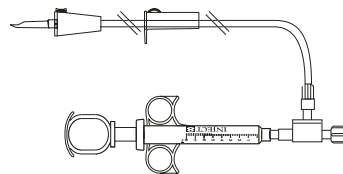


Packaged 3 per case

CATALOG NUMBERS K12T-01822

VEIN CLOSURE SYRINGE

Packaged 15 per box 60 per case



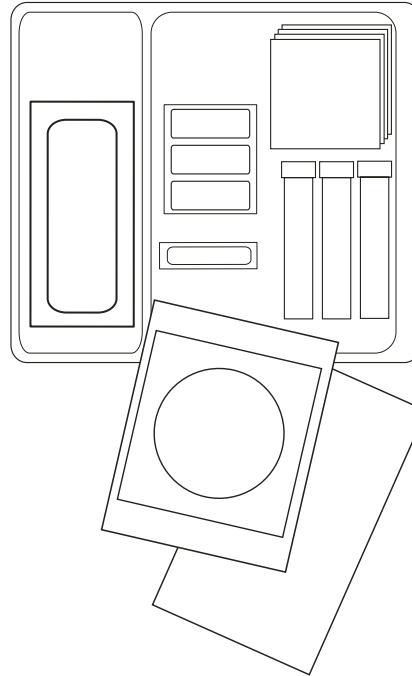
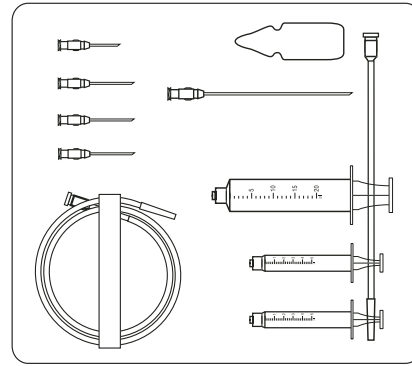
CATALOG NUMBERS K12-01575

* Not available in countries where CE mark is required.

MYELOGRAM TRAY * including:

QTY	DESCRIPTION
1	Lidocaine, 1% 5ml
1	3 Swabsticks Package, PVP Solution
1	Bandage, .75" x 3"
2	Syringe 5ml, L/L
1	Syringe 20ml, L/L
2	Needle 19G x 1.5" Filtered
1	Needle 22G x 1.5"
1	Needle 25G x 5/8"
1	Needle, Spinal 22G x 3.5"
1	Wrap, Kinguard 30" x 30" Custom
2	Towel, 17" x 19" White
1	Fenestrated Drape w/Adhesive 18" x 26"
5	Sponge, Gauze 3" x 3" (12 Ply)
1	Tubing Set 20" M/F L/S
1	Tubing Set 6" M/F L/S
3	Transport Tubes 10ml
3	Specimen Label (White)

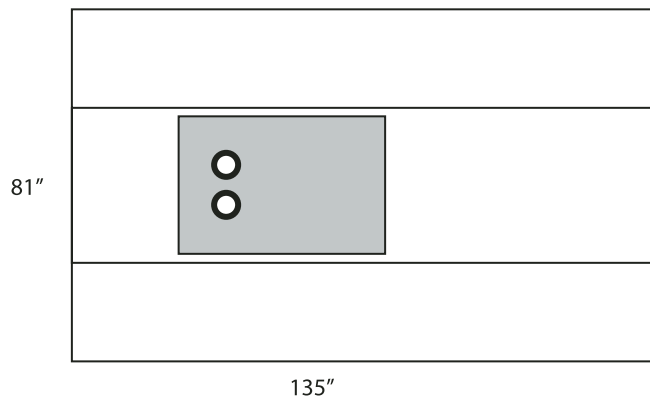
Packaged 10 per case



CATALOG NUMBERS K12T-02045

PATIENT COVER *

Packaged 10 per case

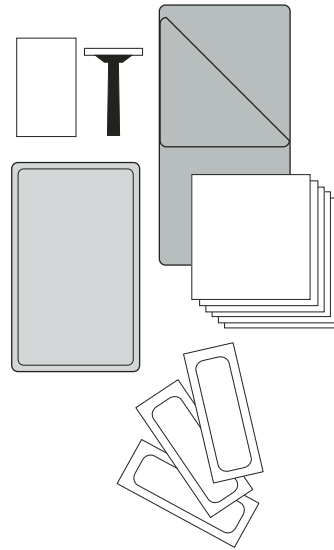


CATALOG NUMBERS K12T-01721

* Not available in countries where CE mark is required.

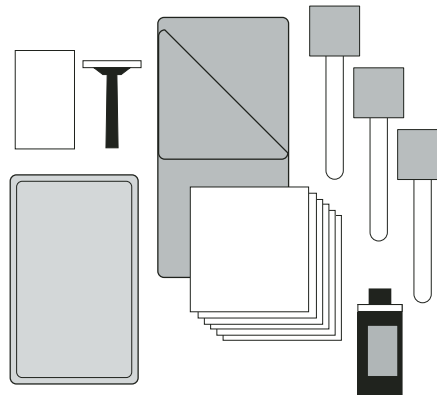
FIRSTSTEP™ PREP KITS * including:

- | Quantity | Description: |
|----------|-----------------------------------|
| 3 | PVP Swabsticks (3/Package) |
| 1 | Poly Wrap 24" x 24" |
| 1 | Tray 9" x 5" x 2" |
| 1 | Soap Impregnated Sponge |
| 1 | Roll of Tape 1" x 36" |
| 1 | Header Bag 10" x 16" |
| 5 | 4" x 4" Gauze Pads (12 Ply) |
| 1 | Cloth Towel (Blue) |
| 1 | LG Exam Gloves, PF Nitrile (Pair) |
| 1 | Double-Edge Single Blade Razor |
| 0.5 | CTN. 19.5" x 15.5" x 11.25" |



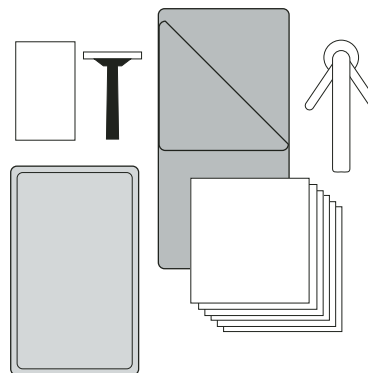
CATALOG NUMBERS	FS100	Packaged 20 per case
-----------------	-------	----------------------

- | Quantity | Description: |
|----------|-----------------------------------|
| 3 | PVP Solution 4oz |
| 1 | Poly Wrap 24" x 24" |
| 1 | Tray 9" x 5" x 2" |
| 1 | Soap Impregnated Sponge |
| 1 | Roll of Tape 1" x 36" |
| 1 | Header Bag 10" x 16" |
| 5 | 4" x 4" Gauze Pads (12 Ply) |
| 1 | Cloth Towel (Blue) |
| 1 | LG Exam Gloves, PF Nitrile (Pair) |
| 1 | Double-Edge Single Blade Razor |
| 0.5 | CTN. 19.5" x 15.5" x 11.25" |
| 3 | Sponge Sticks 6" |



CATALOG NUMBERS	FS110	Packaged 20 per case
-----------------	-------	----------------------

- | Quantity | Description: |
|----------|---|
| 1 | Patient Preoperative Skin Preparation Applicator 10.5ml |
| 1 | Poly Wrap 24" x 24" |
| 1 | Tray 9" x 5" x 2" |
| 1 | Soap Impregnated Sponge |
| 1 | Roll of Tape 1" x 36" |
| 1 | Header Bag 10" x 16" |
| 5 | 4" x 4" Gauze Pads (12 Ply) |
| 1 | Cloth Towel (Blue) |
| 1 | LG Exam Gloves, PF Nitrile (Pair) |
| 1 | Double-Edge Single Blade Razor |
| 0.5 | CTN. 19.5" x 15.5" x 11.25" |



CATALOG NUMBERS	FS200	Packaged 20 per case
-----------------	-------	----------------------

* Not available in countries where CE mark is required.