

Drainage Catheters



*Merit offers a complete line of short-term and long-term drainage catheters and accessories for percutaneous drainage of body fluids.*

## Drainage Catheters & Accessories

DRAINAGE CATHETERS AND ACCESSORIES



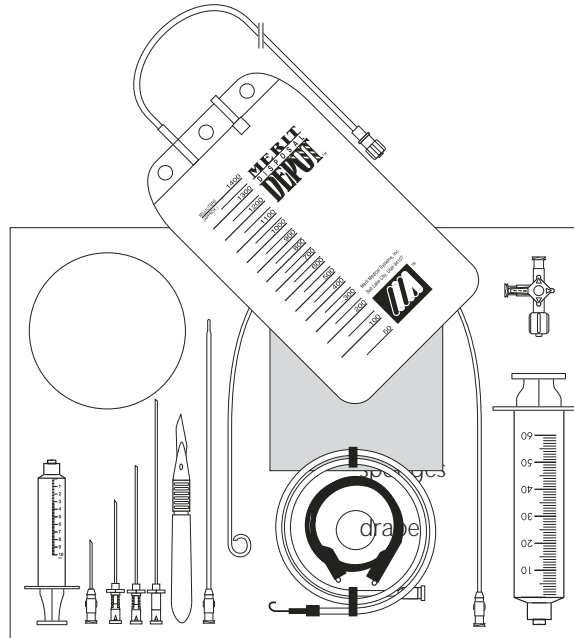


## DRAINAGE CATHETERS & ACCESSORIES H

Pericardiocentesis Kit	H.1
Drainage Accessories	H.1, 2, 3
OneStep™ Centesis Catheter	H.3
Resolve® Locking Drainage Catheter	H.4
Resolve® Non-Locking Drainage Catheter	H.4
Catheter Fixation Devices	H.5
Paracentesis Kit	H.6

**MERIT'S PERICARDIOCENTESIS PROCEDURE KITS** are designed to assist the clinician in draining fluid from the pericardial sac. Pericardiocentesis is a sterile procedure which should be performed with fluoroscopy, two dimensional echocardiographic, or electrocardiographic monitoring and guidance.

- 1 6F High-flow pigtail or straight catheter (60cm)
- 1 6F Dilator
- 1 Three-way stopcock
- 1 Guide wire 0.038" (0.97mm) x 80cm Double ended (J & straight)
- 1 22g x 2 3/8" (6cm) Needle
- 1 19g x 1 1/2" (3.8cm) Needle
- 1 18g x 9cm Needle
- 1 18g x 15cm Needle
- 1 10ml Luer lock syringe
- 1 60ml Luer lock syringe
- 1 1400ml Merit Disposal Depot™ bag with connecting tube
- 10 4" x 4" (10cm x 10cm) Gauze
- 1 40cm x 40cm Fenestrated drape
- 1 46cm x 60cm Absorbent barrier
- 1 Double-ended alligator clip cable
- 1 CSR wrap
- 1 #11 Scalpel

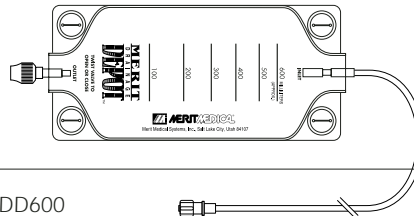


Packaged 1 kit per box

CATALOG NUMBERS

- PC101 6F High-flow pigtail catheter\*
- PC201 6F High-flow straight catheter\*
- PC100 6F High-flow pigtail catheter - CE marked
- PC200 6F High-flow straight catheter - CE marked

**MERIT® DRAINAGE DEPOT** with clear 600 ml PVC bag, 24" (61cm) kink-resistant tubing with fixed male luer, twist drain valve and Velcro® \*\* strap. Packaged 20 units per box, 4 boxes per case.

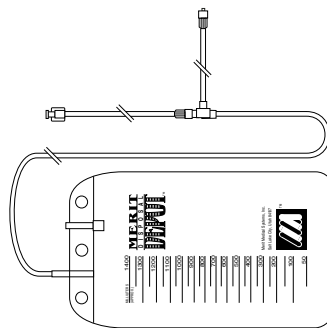


CATALOG NUMBER

MDD600

**ABSCESS DRAINAGE KIT**

Packaged 15 units per box, 4 boxes per case.



CATALOG NUMBER

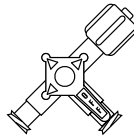
K10-00230

ABSCESS DRAINAGE KIT (OSHA compliant closed waste system)

\* Not available in countries where CE mark is required.

\*\* Velcro®-registered trademark of Velcro Industries

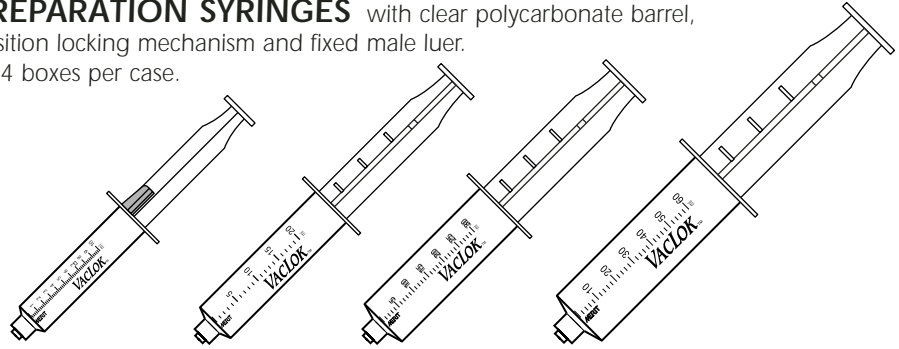
**MARQUIS® SERIES LARGE BORE STOPCOCK** with Swivel Nut.  
 Packaged 50 units per box, 4 boxes per case.



50 PSI  
 (3.5 BAR)

3-way L3SNC  
 4-way L4SNC

**VACLOK® NEGATIVE PREPARATION SYRINGES** with clear polycarbonate barrel, white plunger, one, four or six position locking mechanism and fixed male luer.  
 Packaged 20 or 25 units per box, 4 boxes per case.



10ml one position 25/box	20ml four position 20/box	30ml six position 20/box	60ml six position 25/box
--------------------------------	---------------------------------	--------------------------------	--------------------------------

CATALOG NUMBER	VAC111	VAC120	VAC130	VAC160
----------------	--------	--------	--------	--------

**CONNECTION TUBES** 9" (23cm) connection tube. Packaged 25 units per box, 4 boxes per case.



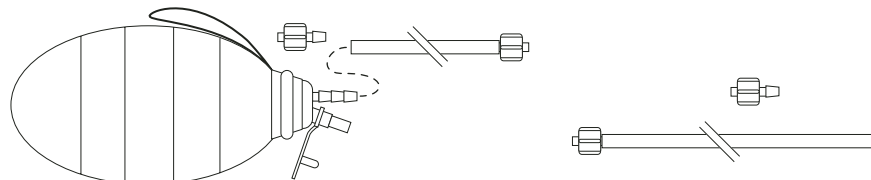
CATALOG NUMBER	K08-00952	K08-00674	WITH 1-WAY STOPCOCK
----------------	-----------	-----------	---------------------

**FLUID ADMINISTRATION SET** Packaged 25 units per box, 4 boxes per case.



CATALOG NUMBER	FAS5248	48" Length (122cm) LARGE BORE TUBING SET WITH NON-VENTED SPIKE
----------------	---------	--

**DRAINAGE KIT** 16" (41cm) connection tube with barbed male luer.  
 Packaged 25 units per box, 4 boxes per case.



JACKSON-PRATT  
 100ml BULB

TUBING KIT WITH  
 BARBED MALE LUER

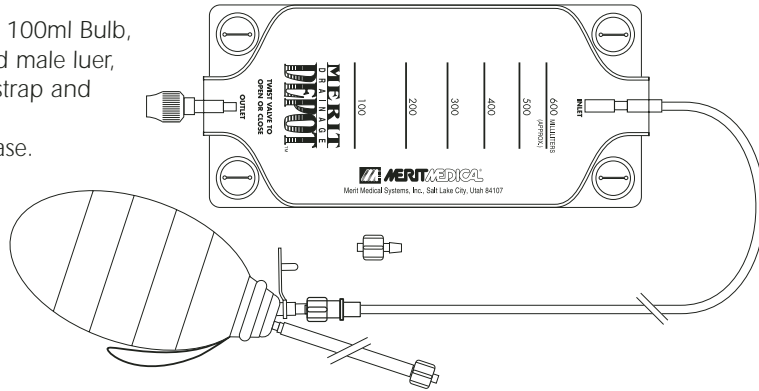
CATALOG NUMBER	K08-01907*	K08-02027*
----------------	------------	------------

\* Not available in countries where CE mark is required.

## DRAINAGE KIT

MDD600 Drainage Bag with Jackson-Pratt 100ml Bulb, 12" (30.5cm) connection tube with barbed male luer, 24" (61cm) kink-resistant tubing, Velcro®\* strap and additional barbed male luer connector.

Packaged 10 units per box, 4 boxes per case.

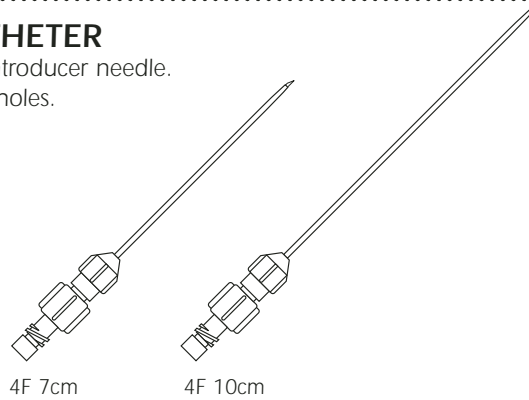


CATALOG NUMBERS

K10-03450

## ONE STEP™ CENTESIS CATHETER

4 French with 20 gauge luer locked introducer needle. Catheter has 4 spiral design drainage holes. Packaged 5 per box.

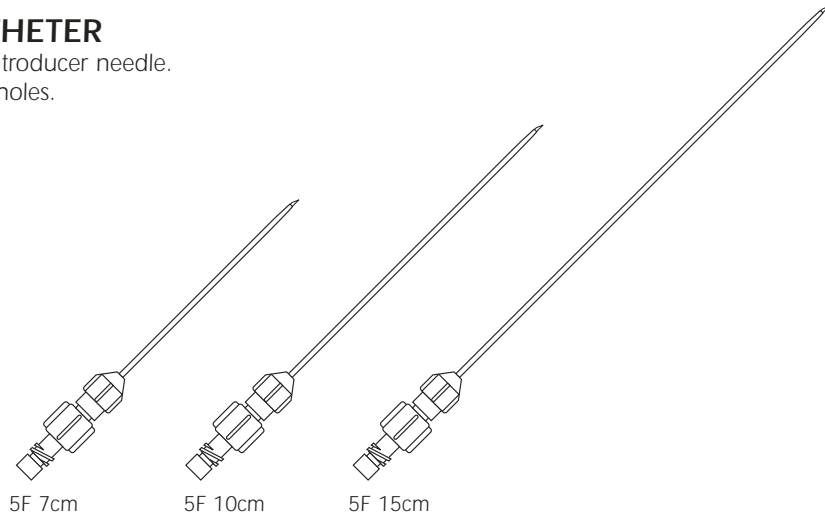


CATALOG NUMBERS

OSC-4F-7	OSC-4F-10	SWIVEL NUT
OSC-4F-7L	OSC-4F-10L	FIXED LUER
OSC-4F-7NH	OSC-4F-10NH	SWIVEL NUT NO SIDE HOLES
OSC-4F-7LNH	OSC-4F-10LNH	FIXED LUER NO SIDE HOLES

## ONE STEP™ CENTESIS CATHETER

5 French with 19 gauge luer locked introducer needle. Catheter has 4 spiral design drainage holes. Packaged 5 per box.

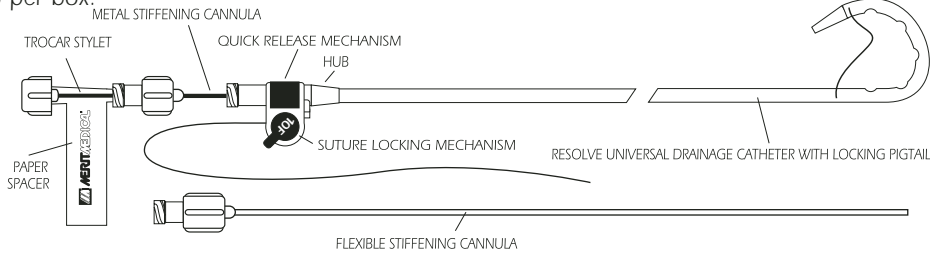


CATALOG NUMBERS

OSC-5F-7	OSC-5F-10	OSC-5F-15	SWIVEL NUT
OSC-5F-7L	OSC-5F-10L	OSC-5F-15L	FIXED LUER
OSC-5F-7NH	OSC-5F-10NH	OSC-5F-15NH	SWIVEL NUT NO SIDE HOLES
OSC-5F-7LNH	OSC-5F-10LNH	OSC-5F-15LNH	FIXED LUER NO SIDE HOLES

\* Velcro®—registered trademark of Velcro Industries

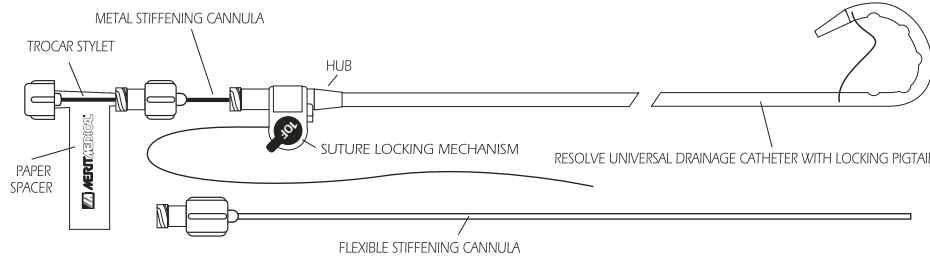
**RESOLVE® LOCKING UNIVERSAL DRAINAGE CATHETERS WITH QUICK RELEASE MECHANISM**  
 Hydrophilic coated drainage catheters. Packaged individually with catheter, metal and flexible stiffening cannula and trocar. Packaged 5 per box.



CATALOG NUMBERS	French size	catheter length	accepts guide wire	side holes	tip configuration
RLC-8-038NR	8.5F	30cm	0.038" (0.97mm)	8	pigtail
RLC-10-038NR	10F	30cm	0.038" (0.97mm)	8	pigtail
RLC-12-038NR	12F	30cm	0.038" (0.97mm)	8	pigtail
RLC-14-038NR	14F	30cm	0.038" (0.97mm)	9	pigtail

**RESOLVE LOCKING UNIVERSAL DRAINAGE CATHETERS WITH MANUAL RELEASE**

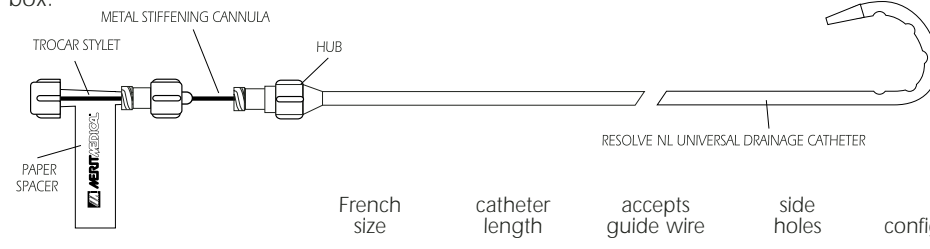
Hydrophilic coated drainage catheters. Packaged individually with catheter, metal and flexible stiffening cannula and trocar. Packaged 5 per box.



CATALOG NUMBERS	French size	catheter length	accepts guide wire	side holes	tip configuration
RLC-6-038	6.5F	30cm	0.038" (0.97mm)	7	pigtail
RLC-8-038	8.5F	30cm	0.038" (0.97mm)	8	pigtail
RLC-10-038	10F	30cm	0.038" (0.97mm)	8	pigtail
RLC-12-038	12F	30cm	0.038" (0.97mm)	8	pigtail
RLC-14-038	14F	30cm	0.038" (0.97mm)	9	pigtail

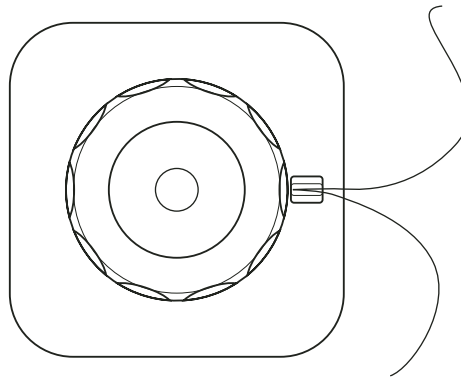
**RESOLVE NON-LOCKING (NL) UNIVERSAL DRAINAGE CATHETERS** - Hydrophilic

coated drainage catheters. Packaged individually with catheter, metal and flexible stiffening cannula and trocar. Packaged 5 per box.



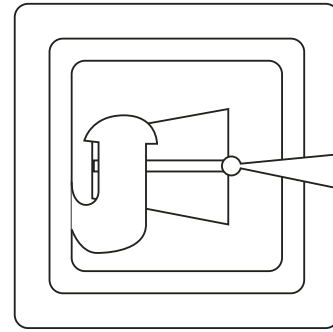
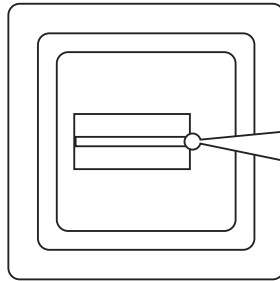
CATALOG NUMBERS	French size	catheter length	accepts guide wire	side holes	tip configuration
RNL-6-038S	6.5F	20cm	0.038" (0.97mm)	4	straight
RNL-8-038S	8.5F	25cm	0.038" (0.97mm)	4	straight
RNL-10-038S	10F	25cm	0.038" (0.97mm)	4	straight
RNL-12-038S	12F	25cm	0.038" (0.97mm)	5	straight
RNL-6-038J	6.5F	20cm	0.038" (0.97mm)	4	J curve
RNL-8-038J	8.5F	25cm	0.038" (0.97mm)	4	J curve
RNL-10-038J	10F	25cm	0.038" (0.97mm)	4	J curve
RNL-12-038J	12F	25cm	0.038" (0.97mm)	5	J curve

**REVOLUTION™ CATHETER SECUREMENT DEVICE** - Needle-less catheter securement device, with easy viewing, protection and cleaning. Packaged 25 per box.



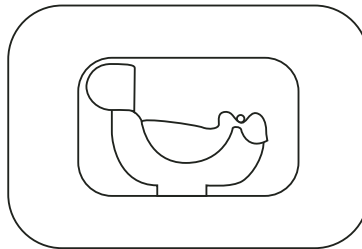
CATALOG NUMBERS	CFG624	THIN LAYER OF HYDROCOLLOID	6F-24F
-----------------	--------	----------------------------	--------

**STAY-FIX®** - A self adhesive fastener for percutaneous catheters and tubes from 5F - 22F.



CATALOG NUMBERS	product size	catheter or tube size	quantity per box
680ME	SMALL	5F - 12F	25
685ME	LARGE	12F - 22F	20

**EPI-FIX™** - A self adhesive fastening device for epidural catheters for all tubing sizes.



CATALOG NUMBER	catheter or tube size	quantity per box
670M	2F - 5F	25

Epi-Fix™ are trademarks of Unomedical UK

Distribution agreement limits sales to selected countries (contact customer service).

