

# Spinal Procedure Devices

## Spinal Procedure Devices

### Miscellaneous Spinal Procedure Devices

*When used in clinical applications such as Discography, the Lutell System accurately dispenses fluid while documenting and graphing pressures in the Disc.*

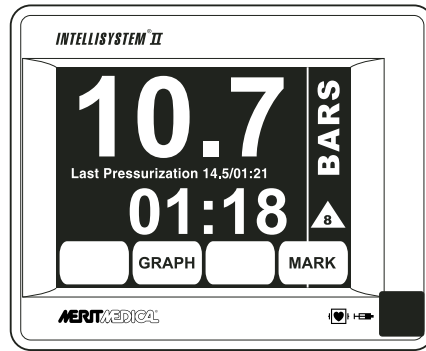
SPINAL PROCEDURE DEVICES



**SPINAL PROCEDURE DEVICES** **K**

IntelliSystem® Color Monitor and Accessories	K.1
IntelliSystem® Mounting Brackets and Accessories	K.2
IntelliSystem® Monitor and Accessories	K.3
Universal Fluid Dispensing Syringes and Kits	K.4, 5
Myelogram Tray	K.6
Catheter Fixation Devices	K.7

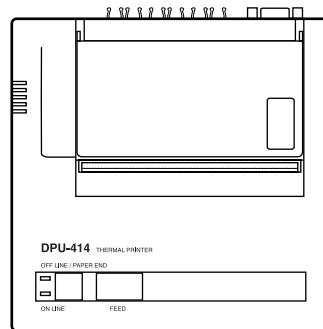
**INTELLISYSTEM® II COLOR MONITOR** (and Remote Monitor) with touch screen and multi-language capability.



with 8' (2.4 m) hospital grade power cord and connector, 110 V	with 8' (2.4 m) hospital grade power cord and connector, 220 V 50 Hz United Kingdom	with 8' (2.4 m) hospital grade power cord and connector 220 V 50 Hz Continental Europe
--	---	--

CATALOG NUMBERS	IN6000	IN6050	IN6100
-----------------	--------	--------	--------

**INTELLISYSTEM® II THERMAL DOT MATRIX PRINTER**



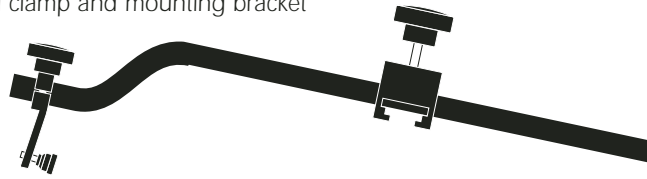
With 110 V adapter and fiber optic serial interface 10m cable	With 220 V 50 Hz adapter and fiber optic serial interface 10m cable
---	---

CATALOG NUMBERS	IN1600	IN1615
-----------------	--------	--------

**INTELLISYSTEM® II CABLES**

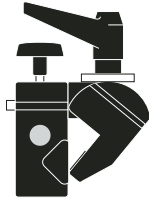
	Fiber optic serial interface cable						
	3' (1m)	10' (3m)	16.5' (5m)	26' (8m)	30' (9m)	65.5' (20m)	164' (50m)
CATALOG NUMBERS	900223002	900223003	900223004	900223005	900223001	900223006	900223007

**INTELLISYSTEM® AND INTELLISYSTEM® II MONITOR MOUNTING KIT** for table side rails, includes mounting pole, sliding rail clamp and mounting bracket

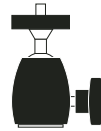


CATALOG NUMBERS IN1300

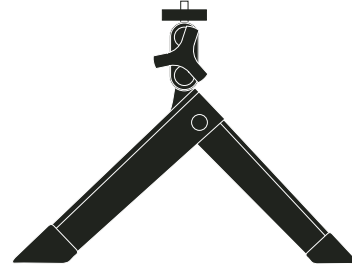
**INTELLISYSTEM® AND INTELLISYSTEM® II MONITOR FIXTURES AND BRACKETS**



Pole Clamp\*

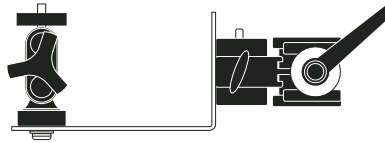


Swivel Connector\*

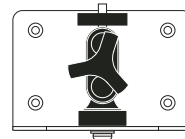


Tripod

CATALOG NUMBERS 909421 909420 701106001



Pole Clamp and Bracket



Wall Bracket

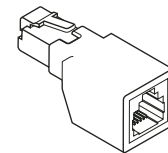
CATALOG NUMBERS IN1460 IN1450

**INTELLISYSTEM® AND INTELLISYSTEM® II ACCESSORIES**

Printer Paper Refill  
4.4" x 36'  
(112mm x 11m)



IntelliCheck™, Calibration  
Troubleshooting Tool

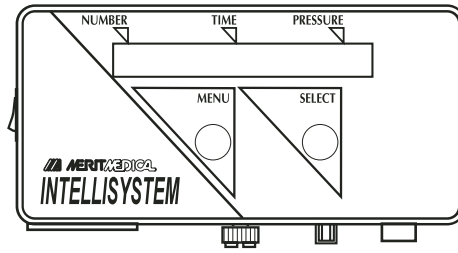


RJ-11 Extender/Adapters  
Box of 5

CATALOG NUMBERS 909401 IN5500 IN1111

\* Not recommended for IntelliSystem II Color Monitor.

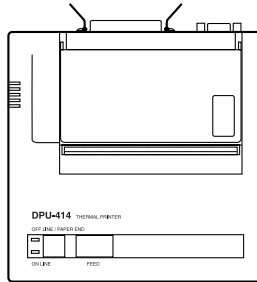
## INTELLISYSTEM® MONITOR



110 V

CATALOG NUMBER IN5000

## INTELLISYSTEM® THERMAL DOT MATRIX PRINTER



110 V

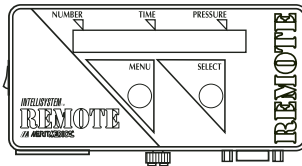
CATALOG NUMBER IN1200

## INTELLISYSTEM® PRINTER INTERFACE CABLE

6' (1.8m)

CATALOG NUMBER IN1250 (909402)

## INTELLISYSTEM® REMOTE MONITOR



CATALOG NUMBER IN5300

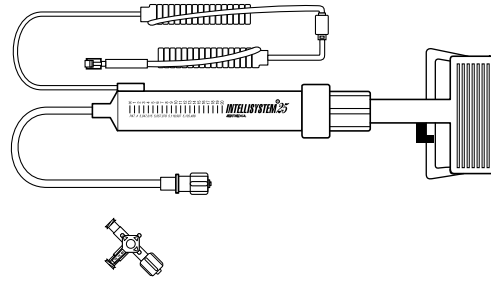
## INTELLISYSTEM® REMOTE MONITOR CABLE

50' (15m) Length

100' (30m) Length

CATALOG NUMBERS IN1380-50 (909243003) IN1380-100 (909243005)

**INTELLISYSTEM®25 DIGITAL PRESSURE MONITORING SYRINGE** with 20" (50.8cm) extension tubing. Medium pressure 3-way stopcock included separately. Packaged 5 units per box, 4 boxes per case.

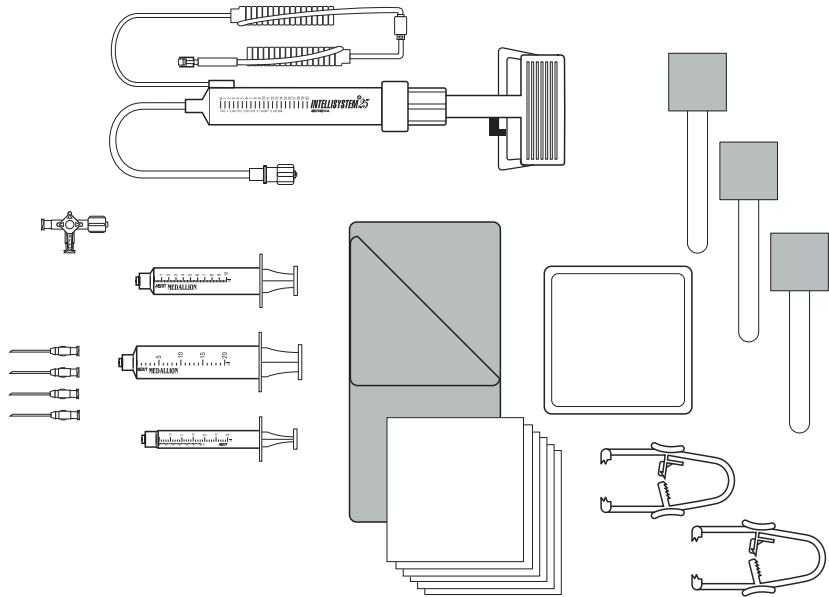


CATALOG NUMBER

K05-L1-L5A

**CUSTOM CONVENIENCE KIT** including an IntelliSystem®25 Pressure Monitoring Syringe with 20" (50.8cm) extension tubing.

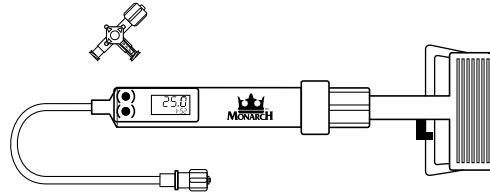
- 1 Pressure Monitoring Syringe
- 1 3-way Stopcock
- 1 20ml Syringe
- 2 10ml Syringe
- 2 3ml Syringe
- 6 Gauze 4"X 4" (10cm X 10cm) Pads
- 6 Sterile Towels
- 2 Towel Clamps
- 1 22 gauge 1.5" (3.8cm) needle
- 1 25 gauge 1.5" (3.8cm) needle
- 2 18 gauge 1.5" (3.8cm) needle
- 3 Prep Sponges
- 1 4"X 4" (10cm x 10cm) Prep Cup
- 1 CSR Wrap



CATALOG NUMBER

K05-01004B

**MONARCH® DIGITAL PRESSURE MONITORING SYRINGE** with 20" (50.8cm) extension tubing. Medium pressure 3-way stopcock included separately. Packaged 5 units per box, 4 boxes per case.

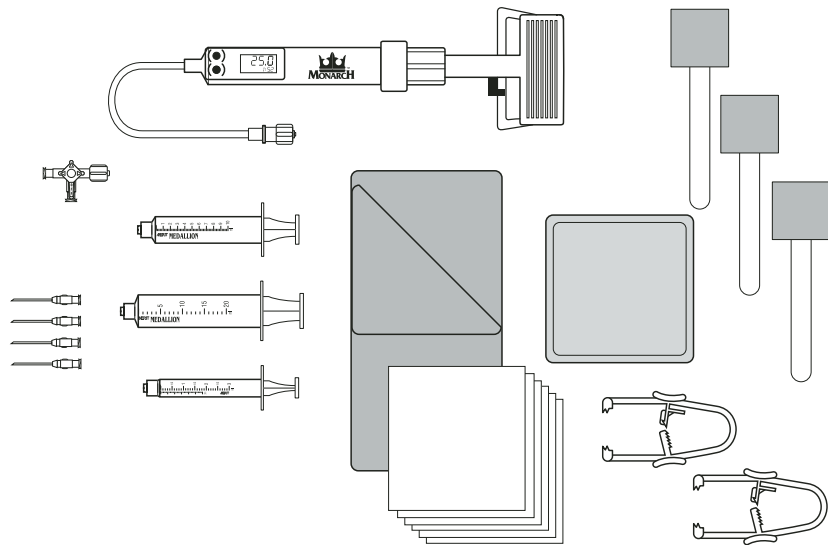


CATALOG NUMBER

K05-L3-L4B

**CUSTOM CONVENIENCE KIT** including a Monarch® Pressure Monitoring Syringe with 20" (50.8cm) extension tubing.

- 1 Pressure Monitoring Syringe
- 1 3-way Stopcock
- 1 20ml Syringe
- 2 10ml Syringe
- 2 3ml Syringe
- 6 Gauze 4"X 4" (10cm X 10cm) Pads
- 6 Sterile Towels
- 2 Towel Clamps
- 1 22 gauge 1.5" (3.8cm) needle
- 1 25 gauge 1.5" (3.8cm) needle
- 2 18 gauge 1.5" (3.8cm) needle
- 3 Prep Sponges
- 1 4"X 4" (10cm x 10cm) Prep Cup
- 1 CSR Wrap



CATALOG NUMBER

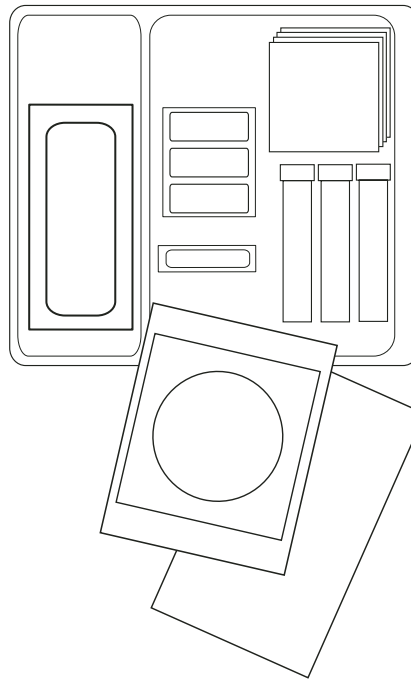
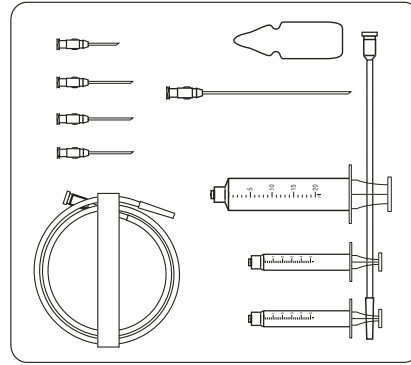
K05-01005A

Please allow up to six weeks delivery for K05-01005.

**MYELOGRAM TRAY\***
**TRAY CONTENTS**

- (1) Lidocaine, 1% 5ml
- (1) 3 Swabsticks Package, PVP Solution
- (1) Bandage, .75" x 3" (Sheer)
- (2) Syringe 5ml, L/L
- (1) Syringe 20ml, L/L
- (2) Needle 19G x 1.5" Filtered
- (1) Needle 22G x 1.5"
- (1) Needle 25G x .625"
- (1) Needle, Spinal 22G x 3.5"
- (1) Wrap, Kinguard 30" x 30" Custom
- (2) Towel, 17" x 19" White
- (1) Fenestrated Drape w/Adhesive 18" x 26"
- (5) Sponge, Gauze 3" x 3" (12 Ply)
- (1) Tubing Set 20" M/F L/S
- (1) Tubing Set 6" M/F L/S
- (3) Transport Tubes 10ml
- (3) Specimen Label (White)

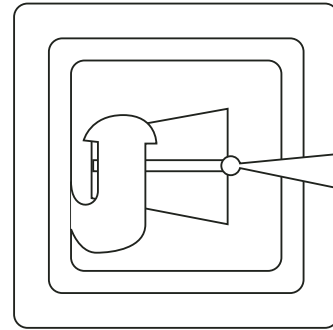
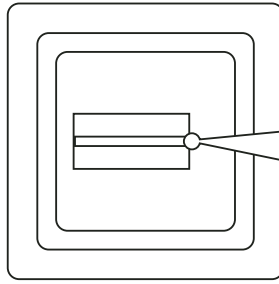
Packaged 10 per case



CATALOG NUMBER K12T-02045

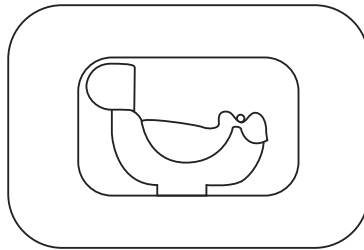
\* Not available in countries where CE mark is required.

**STAY-FIX™** - A self adhesive fastener for percutaneous catheters and tubes from 5F - 22F.



CATALOG NUMBERS	product size	catheter or tube size	quantity per box
680ME	SMALL	5F - 12F	25
685ME	LARGE	12F - 22F	20

.....  
**EPI-FIX™** - A self adhesive fastening device for epidural catheters for all tubing sizes.



CATALOG NUMBER	catheter or tube size	quantity per box
670M	2F - 5F	25

Epi-Fix™ is a trademark of Unomedical UK

Distribution agreement limits sales to selected countries (contact customer service).