

Therapeutic Infusion Systems

Vascular occlusion is a common anomaly and affects millions of patients each year. The Fountain and Mistique catheters deliver therapeutic solutions to dissolve thrombotic occlusions (blood clots) in peripheral arteries, hemodialysis grafts, and deep veins.



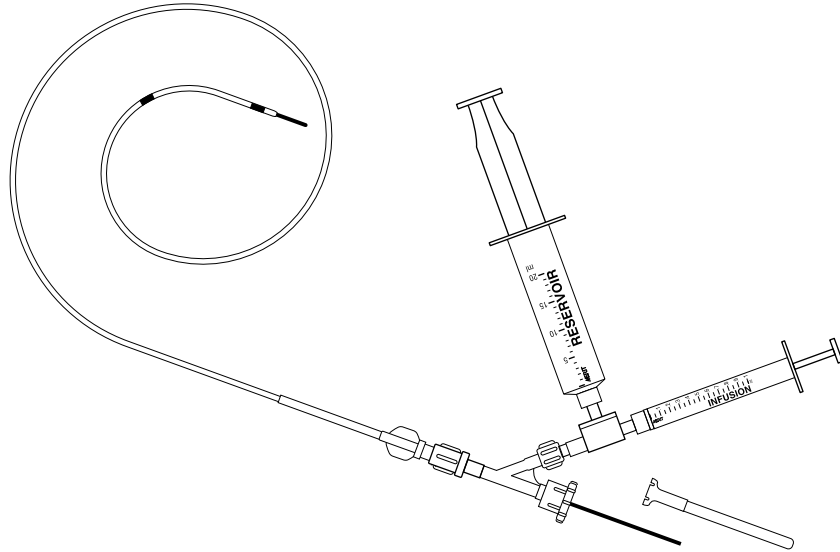
Therapeutic Infusion Systems



**THERAPEUTIC INFUSION SYSTEMS E**

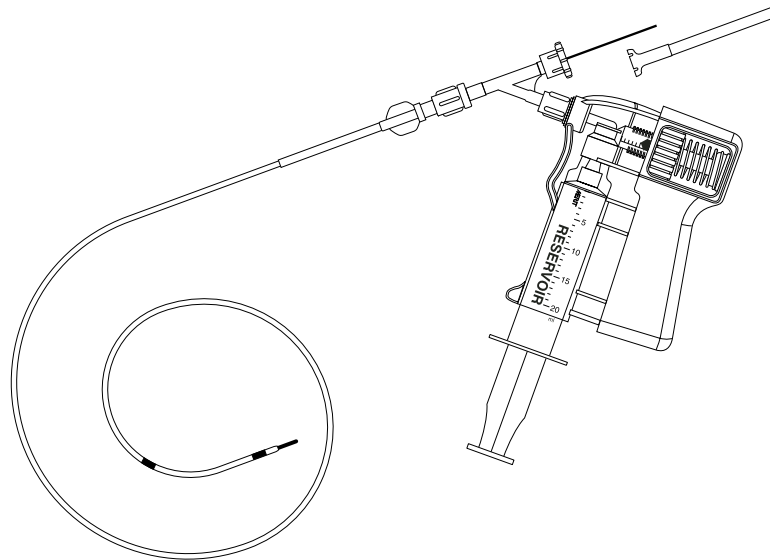
5 French Fountain® Infusion Systems	E.1
4 French Fountain® Infusion Systems	E.2
Fountain® Infusion Catheters / Occluding Wires	E.3
Squirt® Fluid Dispensing System	E.3
Infusion Therapy Accessories	E.4
Mistique® Infusion Catheters	E.5

FOUNTAIN® INFUSION SYSTEM consists of the 5 French Fountain® Infusion Catheter, matching occluding wire, check relief valve, AccessPLUS™ Hemostasis Valve, wire protector cap, 1ml infusion syringe and 20ml reservoir syringe. Packaged and sold individually in tray with Tyvek® lid, 5 units per box.



Catheter Length	Infusion Length 5cm	Infusion Length 10cm	Infusion Length 20cm	Infusion Length 30cm	Infusion Length 40cm	Infusion Length 50cm
45cm		FIS5-45-10	FIS5-45-20			
90cm	FIS5-90-5	FIS5-90-10	FIS5-90-20	FIS5-90-30	FIS5-90-40	FIS5-90-50
135cm	FIS5-135-5	FIS5-135-10	FIS5-135-20	FIS5-135-30	FIS5-135-40	FIS5-135-50

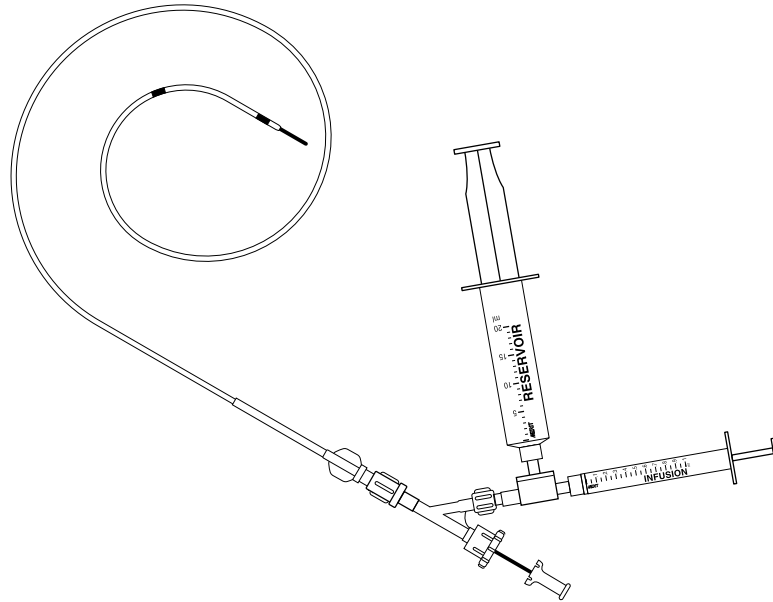
FOUNTAIN® INFUSION SYSTEM WITH SQUIRT® consists of the 5 French Fountain® Infusion Catheter, matching occluding wire, AccessPLUS™ Hemostasis Valve, wire protector cap, 20ml reservoir syringe and Squirt® Fluid Dispensing System. Packaged and sold individually in tray with Tyvek® lid, 5 units per box.



Catheter Length	Infusion Length 5cm	Infusion Length 10cm	Infusion Length 20cm	Infusion Length 30cm	Infusion Length 40cm	Infusion Length 50cm
45cm		FIS5-45-10SQ	FIS5-45-20SQ			
90cm	FIS5-90-5SQ	FIS5-90-10SQ	FIS5-90-20SQ	FIS5-90-30SQ	FIS5-90-40SQ	FIS5-90-50SQ
135cm	FIS5-135-5SQ	FIS5-135-10SQ	FIS5-135-20SQ	FIS5-135-30SQ	FIS5-135-40SQ	FIS5-135-50SQ

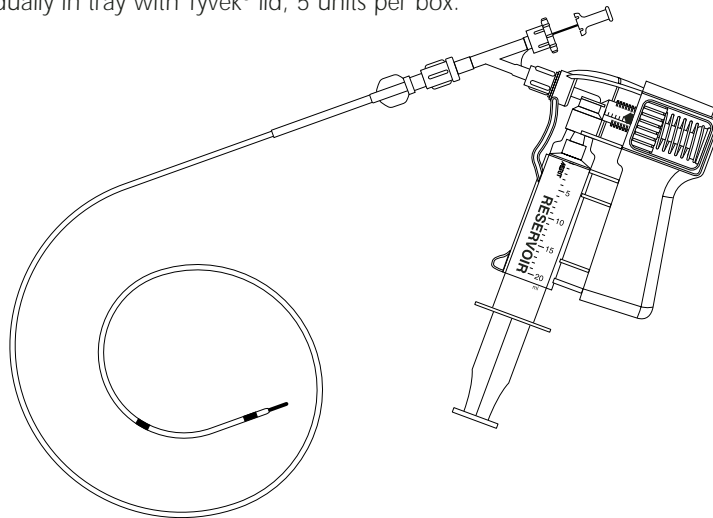
Tyvek® is a registered trademark of Dupont.

FOUNTAIN® INFUSION SYSTEM consists of the 4 French Fountain® Infusion Catheter, matching occluding wire, check relief valve, AccessPLUS™ Hemostasis Valve, 1ml infusion syringe and 20ml reservoir syringe. Packaged and sold individually in tray with Tyvek® lid, 5 units per box.



Catheter Length	Infusion Length 5cm	Infusion Length 10cm	Infusion Length 20cm	Infusion Length 30cm	Infusion Length 40cm	Infusion Length 50cm
45cm		FIS4-45-10	FIS4-45-20			
90cm	FIS4-90-5	FIS4-90-10	FIS4-90-20	FIS4-90-30	FIS4-90-40	FIS4-90-50
135cm	FIS4-135-5	FIS4-135-10	FIS4-135-20	FIS4-135-30	FIS4-135-40	FIS4-135-50

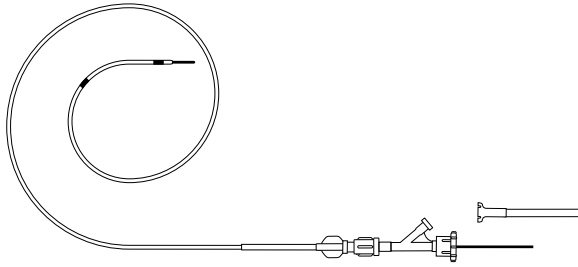
FOUNTAIN® INFUSION SYSTEM WITH SQUIRT® consists of the 4 French Fountain® Infusion Catheter, matching occluding wire, AccessPLUS™ Hemostasis Valve, 20ml reservoir syringe and Squirt® Fluid Dispensing System. Packaged and sold individually in tray with Tyvek® lid, 5 units per box.



Catheter Length	Infusion Length 5cm	Infusion Length 10cm	Infusion Length 20cm	Infusion Length 30cm	Infusion Length 40cm	Infusion Length 50cm
45cm		FIS4-45-10SQ	FIS4-45-20SQ			
90cm	FIS4-90-5SQ	FIS4-90-10SQ	FIS4-90-20SQ	FIS4-90-30SQ	FIS4-90-40SQ	FIS4-90-50SQ
135cm	FIS4-135-5SQ	FIS4-135-10SQ	FIS4-135-20SQ	FIS4-135-30SQ	FIS4-135-40SQ	FIS4-135-50SQ

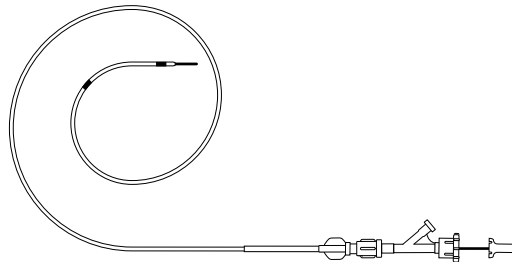
Tyvek® is a registered trademark of Dupont.

FOUNTAIN® INFUSION CATHETER (5 French), matching occluding wire, AccessPLUS™ Hemostasis Valve, and wire protector cap. Packaged and sold individually in a pouch, 5 units per box.



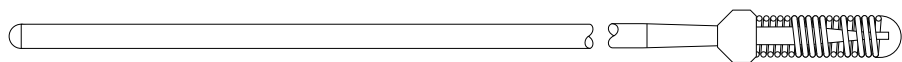
Catheter Length	Infusion Length 5cm	Infusion Length 10cm	Infusion Length 20cm	Infusion Length 30cm	Infusion Length 40cm	Infusion Length 50cm
45cm		IS5-45-10	IS5-45-20			
90cm	IS5-90-5	IS5-90-10	IS5-90-20	IS5-90-30	IS5-90-40	IS5-90-50
135cm	IS5-135-5	IS5-135-10	IS5-135-20	IS5-135-30	IS5-135-40	IS5-135-50

FOUNTAIN® INFUSION CATHETER (4 French), matching occluding wire and AccessPLUS™ hemostasis valve. Packaged and sold individually in a pouch, 5 units per box.



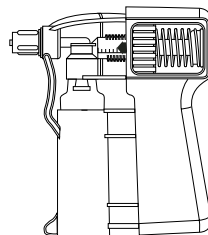
Catheter Length	Infusion Length 5cm	Infusion Length 10cm	Infusion Length 20cm	Infusion Length 30cm	Infusion Length 40cm	Infusion Length 50cm
45cm		IS4-45-10	IS4-45-20			
90cm	IS4-90-5	IS4-90-10	IS4-90-20	IS4-90-30	IS4-90-40	IS4-90-50
135cm	IS4-135-5	IS4-135-10	IS4-135-20	IS4-135-30	IS4-135-40	IS4-135-50

FOUNTAIN® OCCLUDING WIRE Packaged and sold individually in a pouch, 5 units per box.



	Length 45cm	Length 90cm	Length 135cm
5F Wire	FW5-45	FW5-90	FW5-135
4F Wire	FW4-45	FW4-90	FW4-135

SQUIRT® FLUID DISPENSING SYSTEM for the repeatable injection of multiple dose therapy. Packaged in tray with printed Tyvek® lid, 10 units per box.

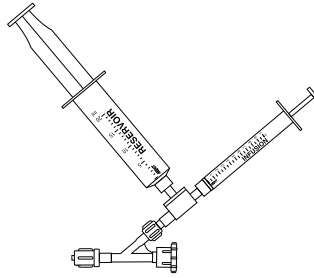


CATALOG NUMBER

FDS100

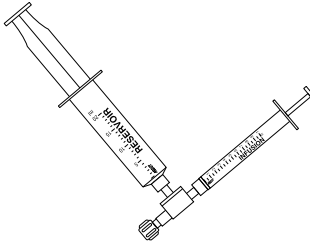
Tyvek® is a registered trademark of Dupont.

PULSE INFUSION KIT consists of in-line check relief valve, AccessPLUS™ hemostasis valve, 1ml infusion syringe and 20ml reservoir syringe. Packaged in Tyvek® Pouch, 5 units per box.



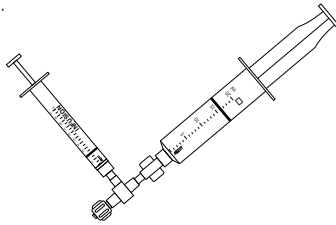
CATALOG NUMBER K12-00462

PULSE INFUSION KIT consists of in-line check relief valve, 1ml infusion syringe and 20ml reservoir syringe. Packaged in Tyvek® Pouch, 5 units per box.



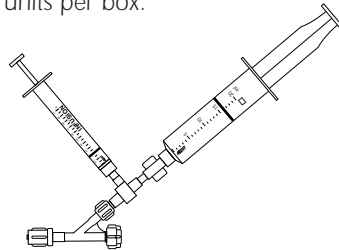
CATALOG NUMBER K12-00463

PULSE INFUSION KIT consists of check relief valve, 1ml infusion syringe and 20ml reservoir syringe. Packaged in Tyvek® Pouch, 5 units per box.



CATALOG NUMBER K12-00262

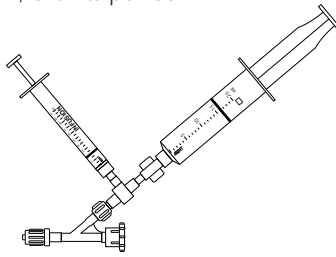
PULSE INFUSION KIT consists of check relief valve, Passage® hemostasis valve, 1ml infusion syringe and 20ml reservoir syringe. Packaged in Tyvek® Pouch, 5 units per box.



CATALOG NUMBER K12-00263

Tyvek® is a registered trademark of Dupont.

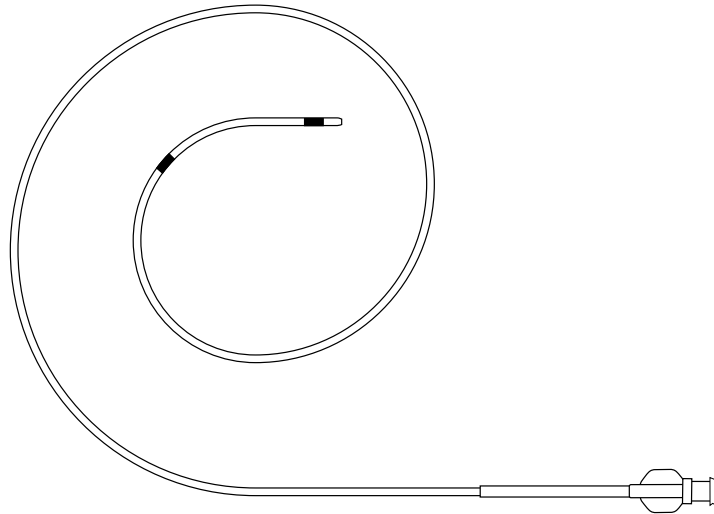
PULSE INFUSION KIT consists of check relief valve, Access-9™ hemostasis valve, 1ml infusion syringe and 20ml reservoir syringe. Packaged in Tyvek® Pouch, 5 units per box.



CATALOG NUMBER

K12-00264

MISTIQUE® INFUSION CATHETER is a 5 French side hole catheter. Two configurations to accommodate 0.035" (0.89mm) or 0.038" (0.97mm) guide wires. Packaged and sold individually in a Tyvek® pouch, 5 units per box.



	Infusion Length 5cm	Infusion Length 10cm	Infusion Length 20cm
	M A X I M U M G U I D E W I R E 0 . 0 3 5 " (0 . 8 9 m m)		
Catheter Length 45cm	MIC5-45-5-035	MIC5-45-10-035	MIC5-45-20-035
90cm	MIC5-90-5-035	MIC5-90-10-035	MIC5-90-20-035
135cm	MIC5-135-5-035	MIC5-135-10-035	MIC5-135-20-035
	M A X I M U M G U I D E W I R E 0 . 0 3 8 " (0 . 9 7 m m)		
Catheter Length 45cm	MIC5-45-5-038	MIC5-45-10-038	MIC5-45-20-038
90cm	MIC5-90-5-038	MIC5-90-10-038	MIC5-90-20-038
135cm	MIC5-135-5-038	MIC5-135-10-038	MIC5-135-20-038

Tyvek® is a registered trademark of Dupont.